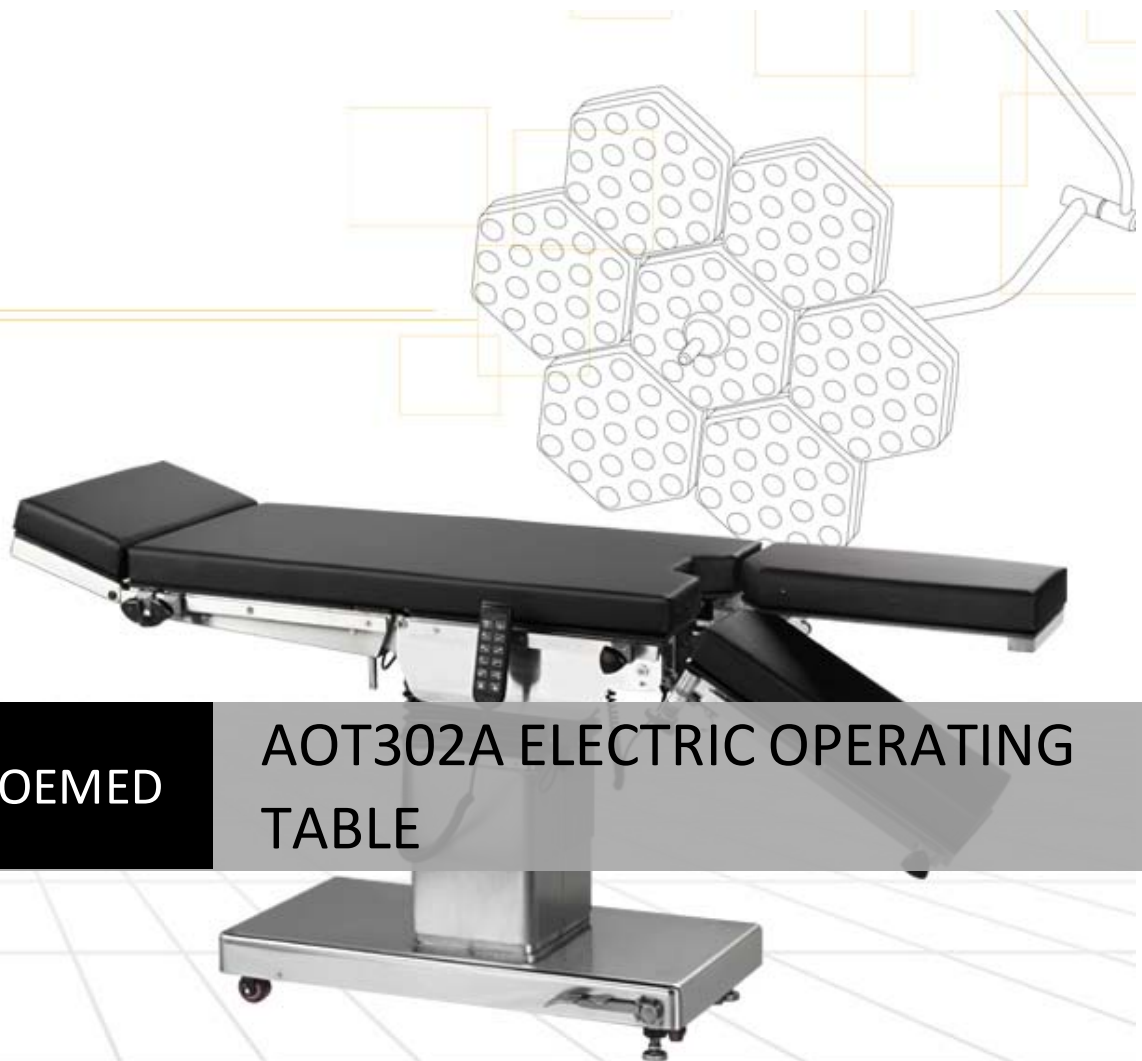


2013/1.1



WANROOEMED

AOT302A ELECTRIC OPERATING TABLE

AOT302 meets most of surgeries

Extra wide tabletop

Big sliding distance, suitable for C-arm examination and X-ray photograph

Different accessories to meet almost surgeries in OR room

WANROOEMED | www.wanroomed.com

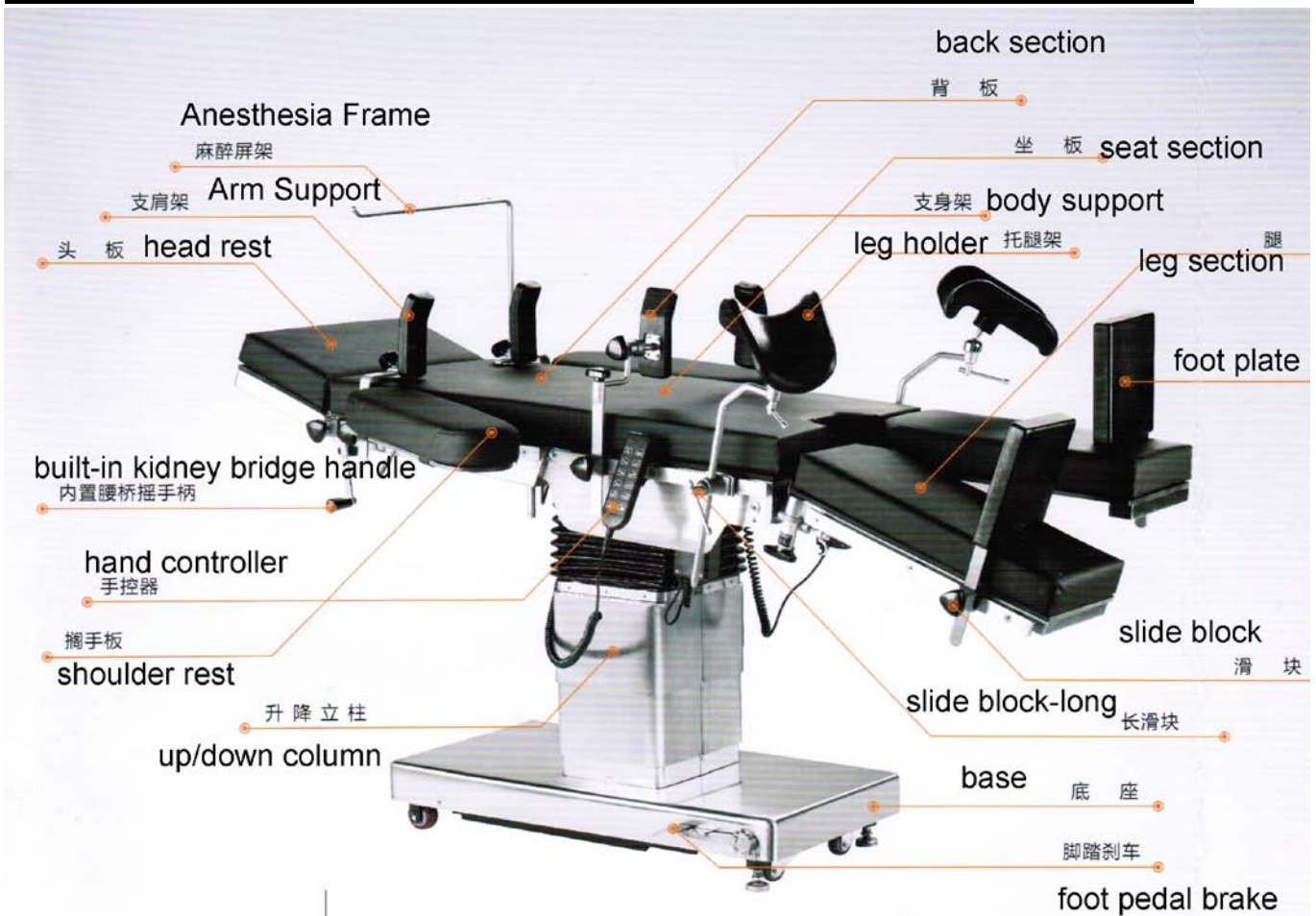
AOT302A Electric Operating Table



Features:

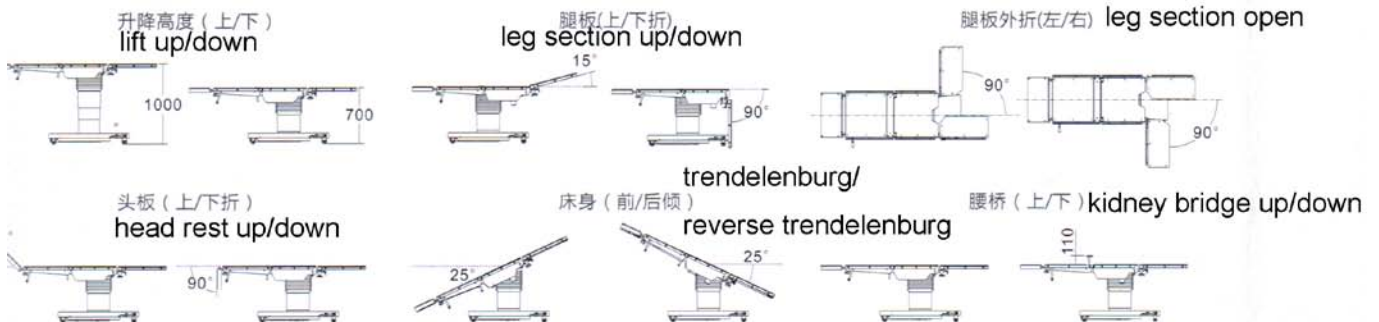
1. Suitable for most operations, with long horizontal sliding, suitable for C-ram and X-ray
2. All functions can be reached by hand controller
3. Elevation of the tabletop, back section, tilt, horizontal sliding by electric, other function manually
4. With battery backup
5. Mobile castor with brake, manually.



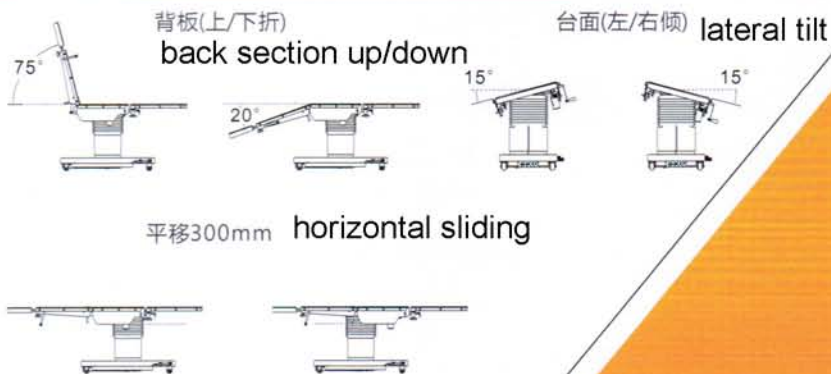


AOT302A 型电动手术台 Electric Operating Table

AOT302A electric operating table body positions



<p>选配1006牵引架 1006 traction frame optional</p> 	<p>选配1006牵引架胫骨骨钉接入手术</p> 	<p>选配侧卧搁手板</p> 
<p>basin for gynecology use optional 选配妇科污物盆</p> 	<p>肠镜手术体位 enteroscopy position</p> 	<p>side-lie arm plate optional 耳鼻喉手术位 E. N. T.</p> 
<p>内置腰桥 built-in kidney bridge</p> 	<p>台面平移 tabletop horizontal sliding</p> 	
<p>选配头托 head rack optional</p> 	<p>台面升降 tabletop up/down</p> 	
<p>左/右倾 lateral tilt</p> 	<p>trendelenburg/reverse trendelenburg 前/后倾</p> 	



Technical Specifications and accessories

Description	AOT302A advanced	AOT302A luxury	AOT302A Standard
Tabletop length and width	2070*550mm	2070*550mm	2070*550mm
Elevation(up/down)	700-1000mm	700-1000mm	700-1000mm
Trendelenburg/reverse trendelenburg	25°/25°	25°/25°	25°/25°
Lateral tilt(left/right)	15°/15°	15°/15°	15°/15°
Head rest(up/down)	45°/90°	45°/90°	45°/90°
Foot plate up/down	15°/90°	15°/90°	15°/90°
Foot plate open	90°	90°	90°
Back plate up/down	70°/20°	70°/20°	70°/20°
Longitudinal sliding	300mm	-----	-----
Kidney elevation	110mm	110mm	-----
Power supply	220V, 50HZ, 1000W standard 110V,60HZ optional according to order		
battery	yes	yes	yes
Mattress	Memory sponge	Memory sponge	Ordinary sponge
Accessories material	PU	PU	Ordinary accessories
Bed body material	304 stainless steel		
Loading	200kg		
Accessories	Anesthesia Frame: 1 pc Cushion: 1 set Leg holder: 1 pair Shoulder Rest: 1pair Arm Support: 1 pair Body Support: 1pair Foot plate: 1 pai Manual controller: 1 pc Hydraulic oil: 1 bottle Kidney bridge handle: 1 pc Power cord: 1 pc		